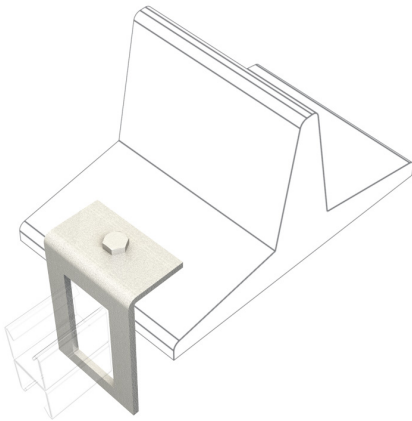


PRODUCT CODE: MP42-82
CHANNEL BRACKET



DESCRIPTION

82mm Window Beam Clamp c/w Cone Point

FINISH

Hot Dipped Galvanised

MATERIAL

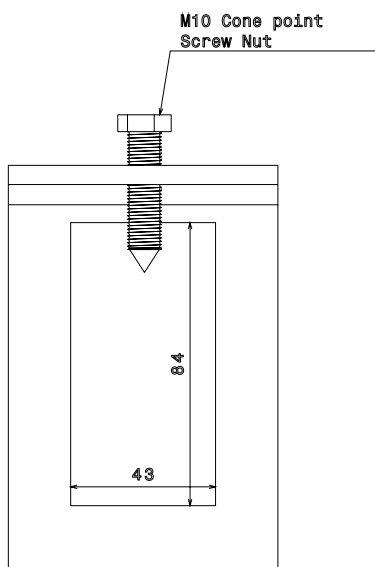
Steel

PACKAGING

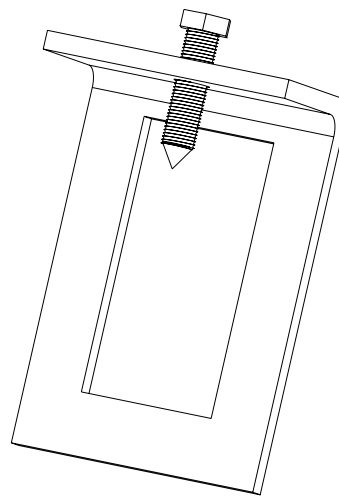
Packed in qty 10

ADDITIONAL NOTES

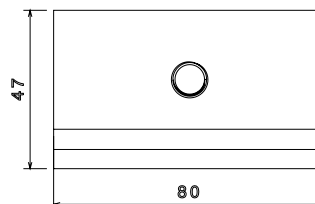
Supplied with M10 x 40mm 8.8HT BZP cone point bolt



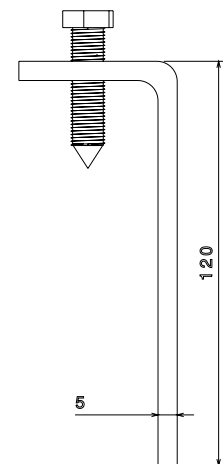
Front view



Isometric view



Top view



Side view